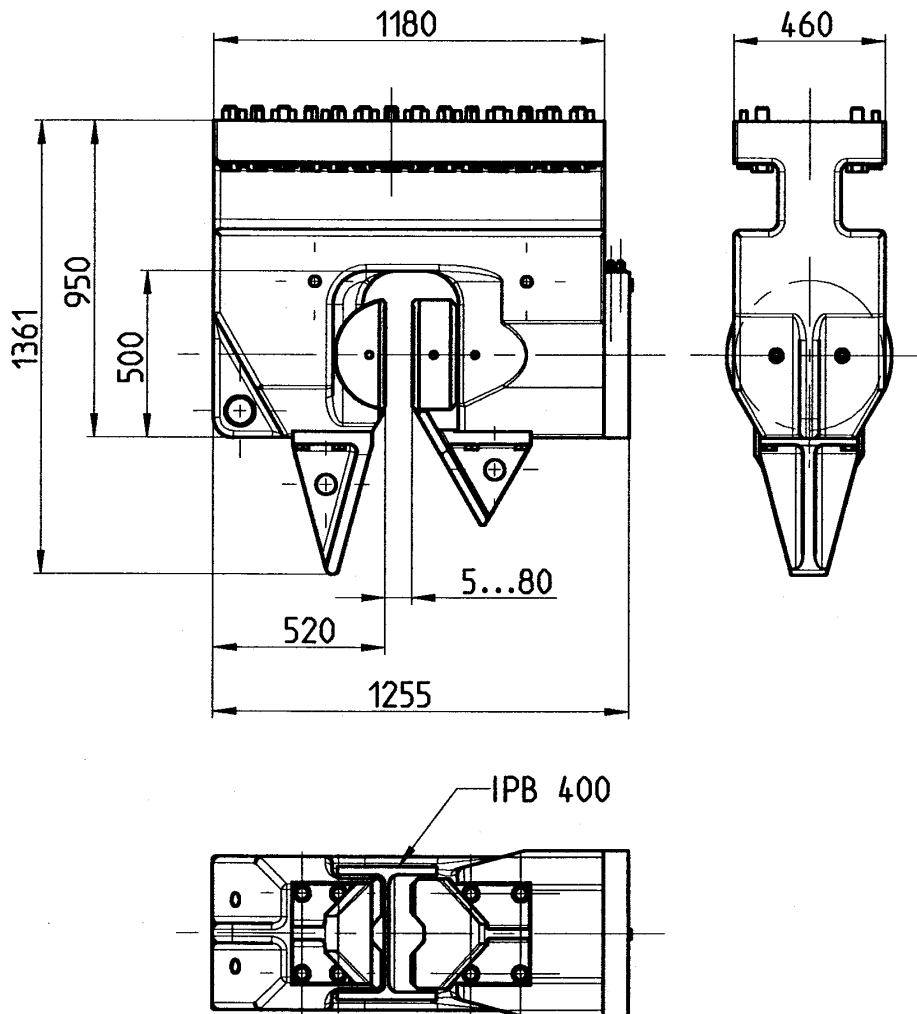




<b>Spannvorrichtung</b> clamping device <b>MS-U 360</b>	<b>TA 0794</b> Dat.: 06.11.2000 Name: Richter
---	---



Spannkraft:  
 clamping power:  
 max. 3600 kN

Spanndruck:  
 clamping pressure:  
 max. 350 bar

Gewicht:  
 weight:  
 3130 kg

Subject to Technical modifications

Distributed in Australia & New Zealand by <b>ThyssenKrupp Steelcom</b> <small>A company of ThyssenKrupp Services</small>		
PO Box 840 North Sydney NSW 2059 Australia T: + 61 2 9954 9166 Sales + 61 2 4966 0688 F: + 61 2 9955 4298 enquiries@steelcom.com.au www.steelcom.com.au	PO Box 51254 Pakuranga Auckland 2140 New Zealand T: + 64 9 576 3977 F: + 64 9 576 3978 afenn@steelcomnz.co.nz www.steelcomnz.co.nz	