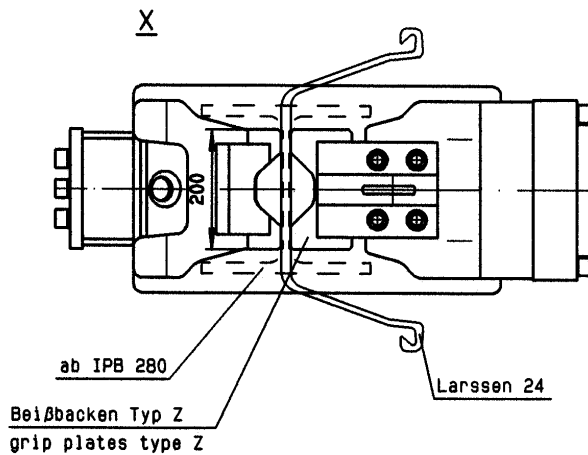
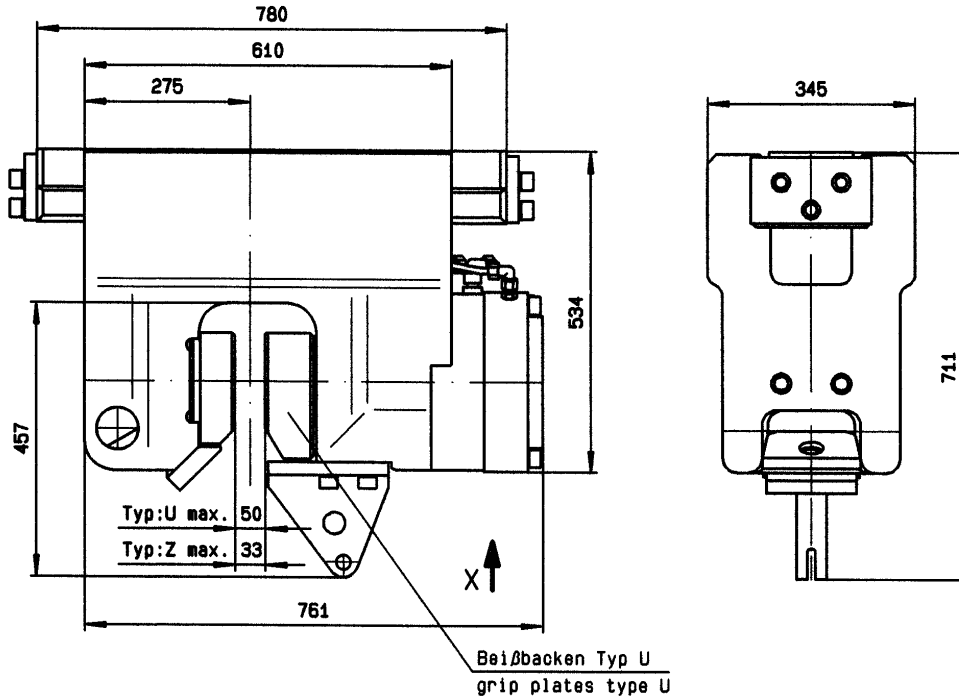




<b>Spannvorrichtung</b> clamping device <b>MS-U 100 G</b>	<b>TA 0900</b> Dat.: 19.09.2002 Name: Honig
---	---



Spannkraft :  
 clamping power :  
 max. 1000 kN

Spanndruck :  
 clamping pressure :  
 max. 350 bar

Gewicht :  
 weight :  
 680 kg

Artikel-Nr.: 50 072 214  
 ID-no.:

Subject to Technical modifications

Distributed in Australia & New Zealand by <b>ThyssenKrupp Steelcom</b> A company of ThyssenKrupp Services		
PO Box 840 North Sydney NSW 2059 Australia T: + 61 2 9954 9166 Sales + 61 2 4966 0688 F: + 61 2 9955 4298 enquiries@steelcom.com.au www.steelcom.com.au	PO Box 51254 Pakuranga Auckland 2140 New Zealand T: + 64 9 576 3977 F: + 64 9 576 3978 afenn@steelcomnz.co.nz www.steelcomnz.co.nz	

Herstellung und Verkauf von  
**MULLER**  
 Ramm- u. Ziehtechnik