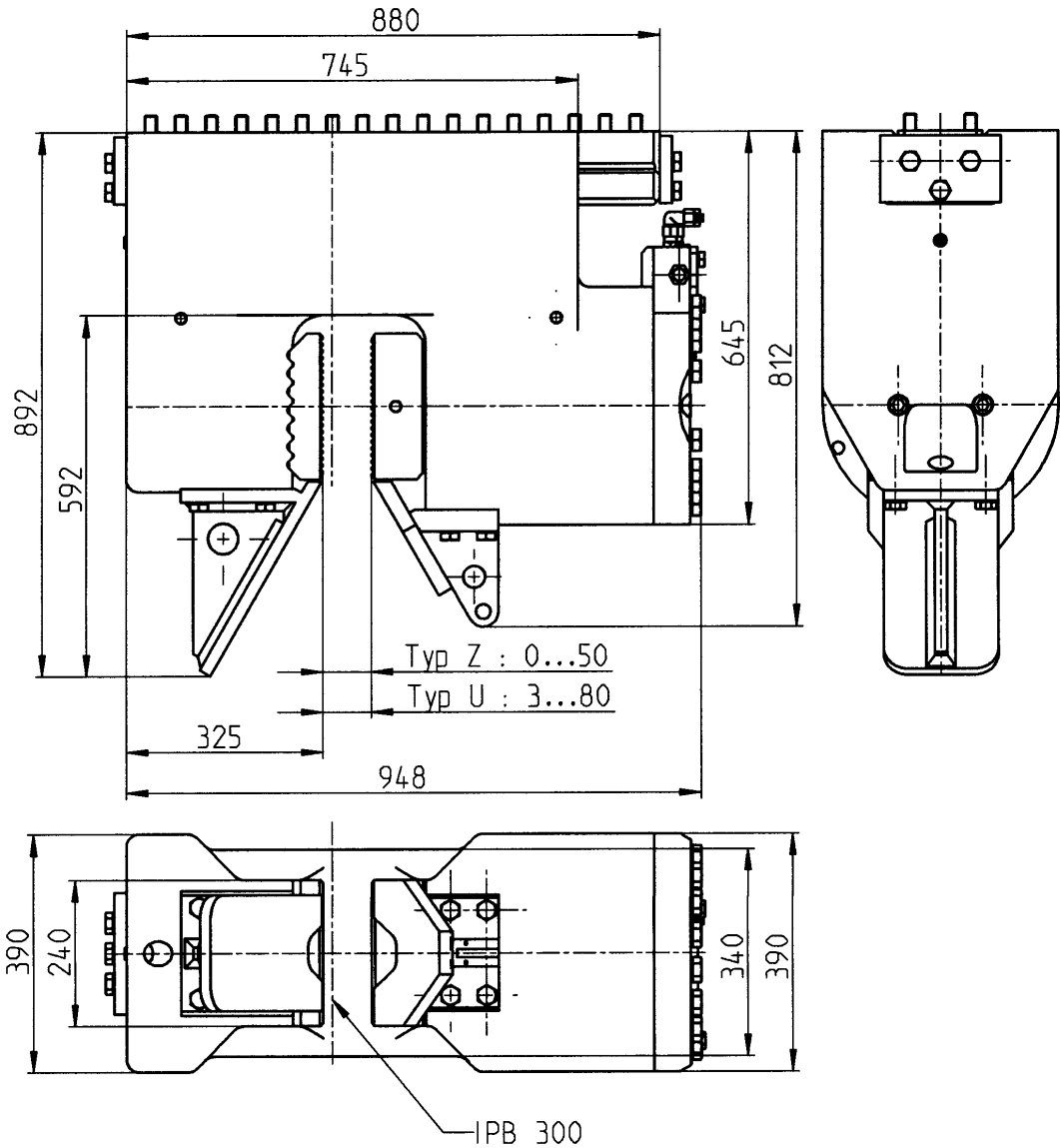




Spannvorrichtung clamping device MS-U 180	TA 0939 Dat.: 04.11.2004 Name: Richter
---	---



Spannkraft:	clamping power:	max. 1800 kN
Spanndruck:	clamping pressure:	max. 350 bar
Gewicht:	weight:	1250 kg

Artikel-Nr. / ID-no.
 Typ U : 50074100
 Typ Z : 50074200

Subject to Technical modifications

Distributed in Australia & New Zealand by ThyssenKrupp Steelcom A company of ThyssenKrupp Services		
PO Box 840 North Sydney NSW 2059 Australia T: +61 2 9954 9166 Sales +61 2 4966 0688 F: +61 2 9955 4298 enquiries@steelcom.com.au www.steelcom.com.au	PO Box 51254 Pakuranga Auckland 2140 New Zealand T: +64 9 576 3977 F: +64 9 576 3978 afenn@steelcomnz.co.nz www.steelcomnz.co.nz	

Herstellung und Verkauf von
MULLER
 Ramm- u. Ziehtechnik